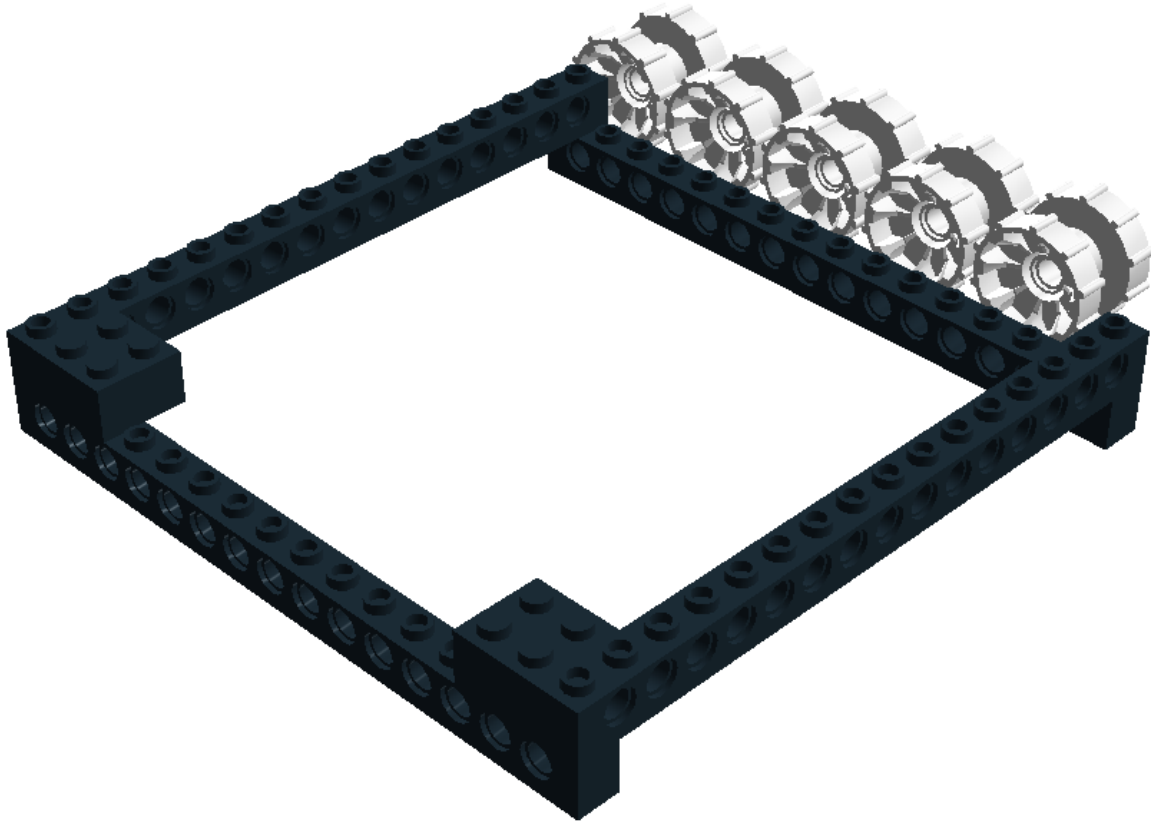


**LEGO** DIGITAL DESIGNER 4.2

Model Name:  
FLL Bin

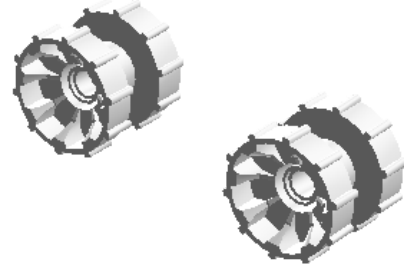
Number of Bricks: 11



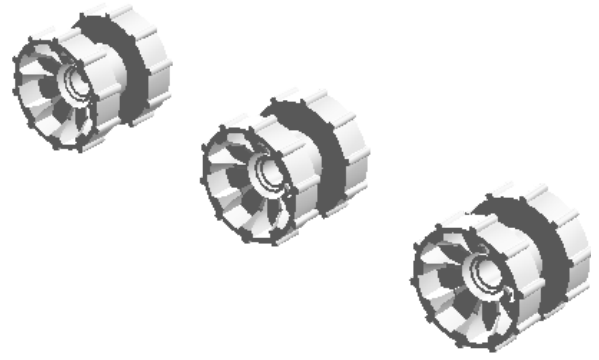
Step 1 of 9



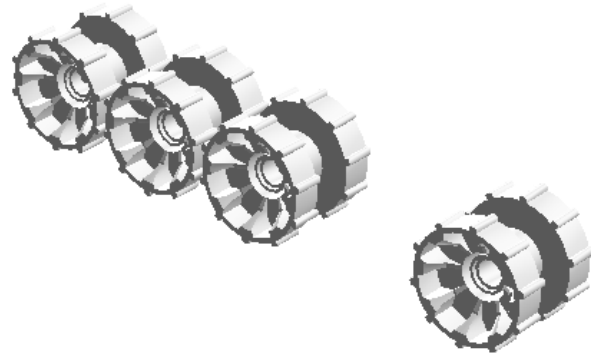
Step 2 of 9



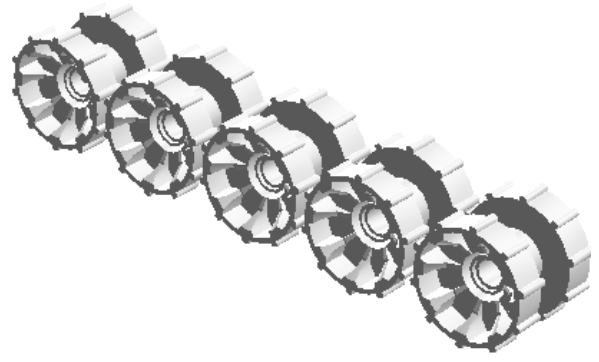
Step 3 of 9



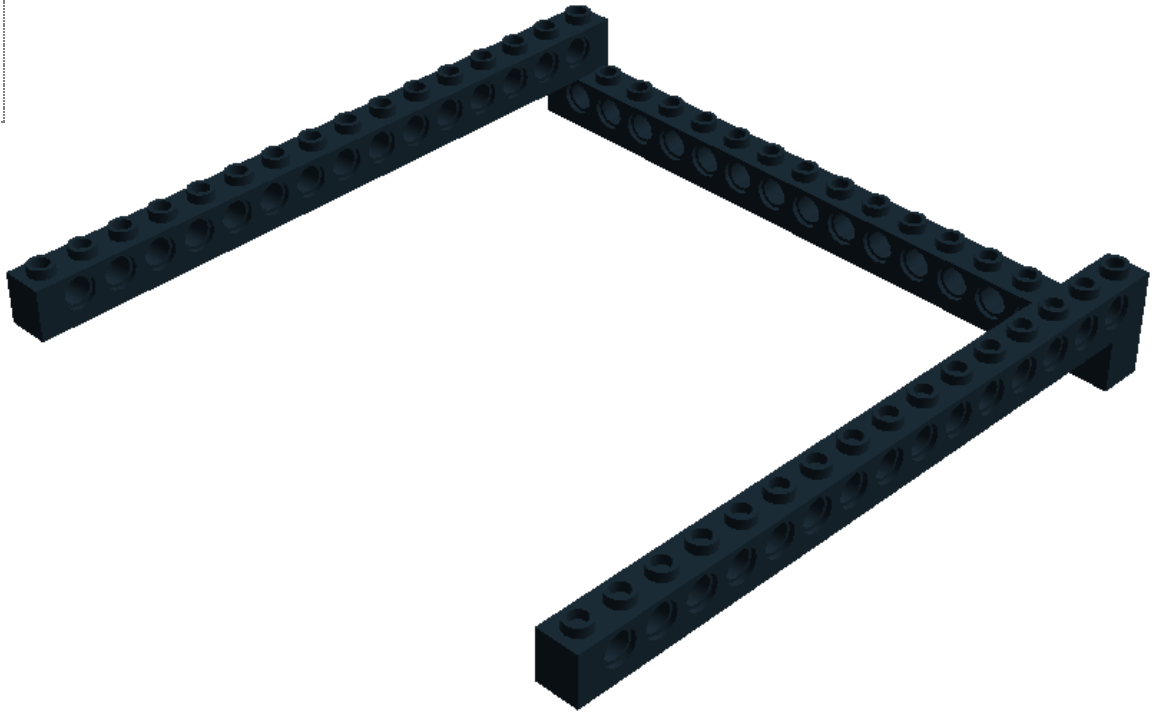
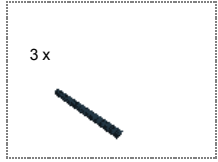
Step 4 of 9



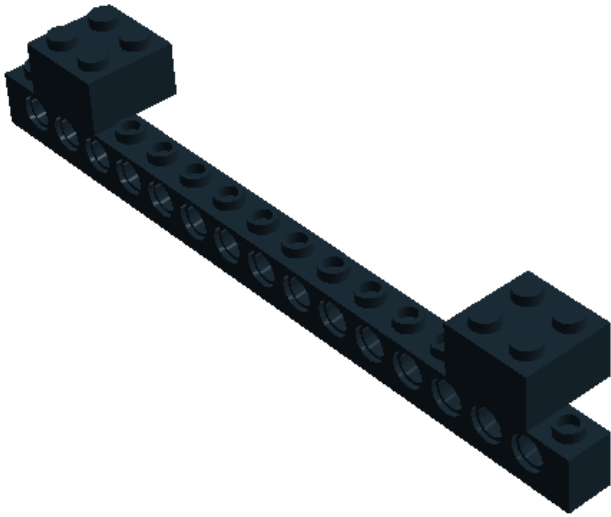
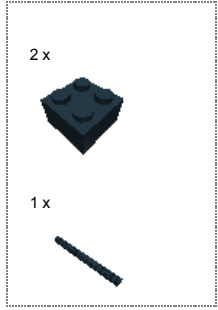
Step 5 of 9



Step 6 of 9

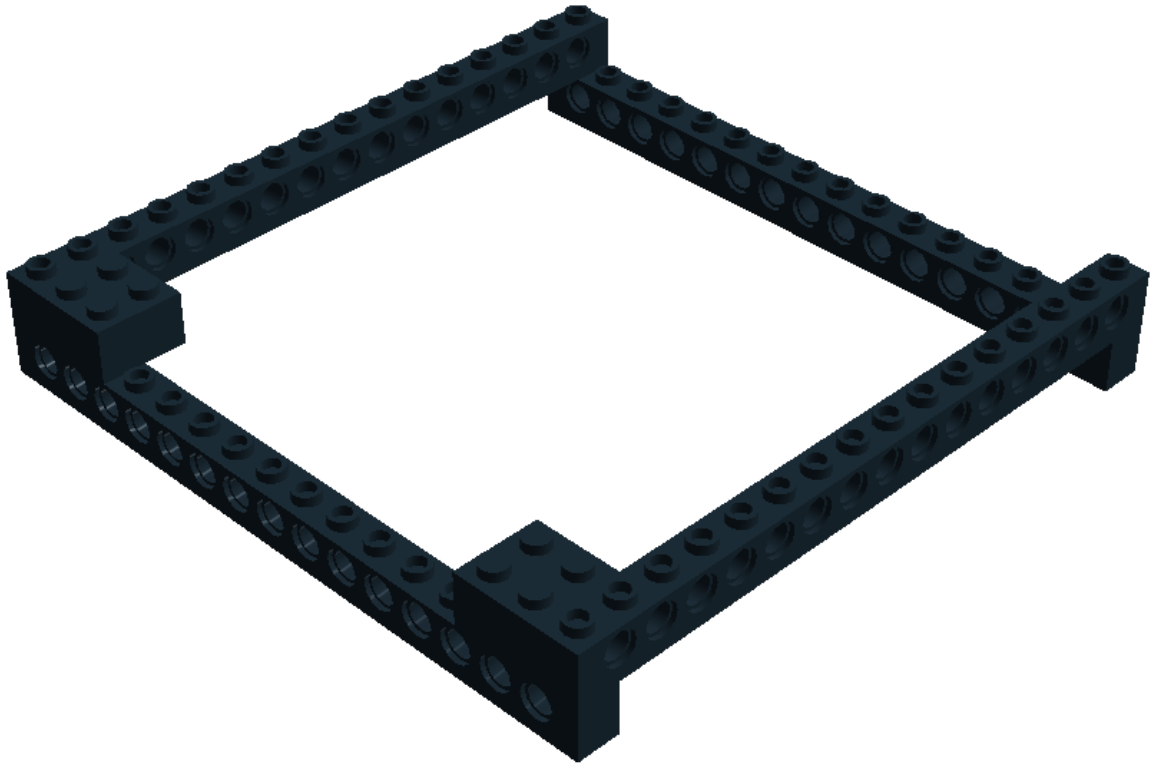


Step 7 of 9





Step 8 of 9



Step 9 of 9

